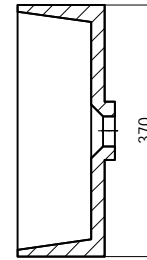
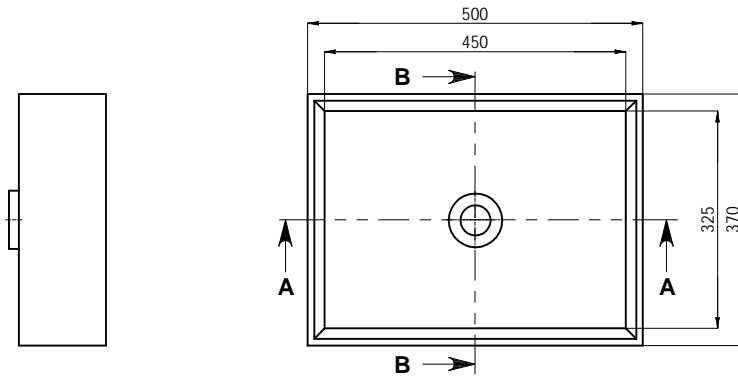
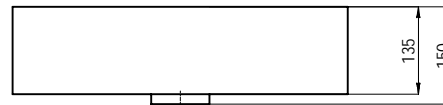
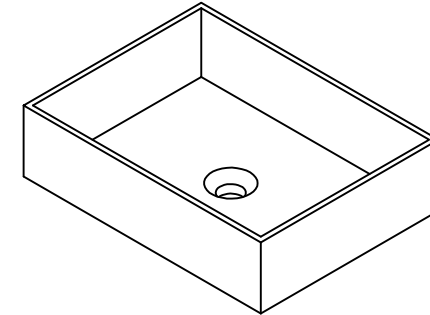


DRAFT COPY

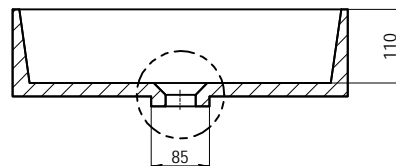
DO NOT SCALE. IF IN DOUBT ASK!



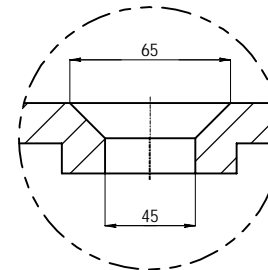
SECTION B-B



*The thickness of the rim is 15mm



SECTION A-A



DETAIL D
SCALE 1:3

COLOUR
QTY
APPROVED BY:
NAME & SIGNATURE
DATE APPROVED:

COPYRIGHT © APPLIES DUPPLICATION OF THIS DRAWING OR ANY SPECIFIC DESIGN FEATURES IS NOT PERMITTED WITHOUT WRITTEN AUTHORITY. "COMMERCIAL CONFIDENTIALITY" IS ASSUMED AND REQUIRED.

UNLESS OTHERWISE STATED ALL DIMENSIONS IN MILLIMETERS	MATERIAL:	KASKADE STONE		DRAWING NUMBER													
	FINISH:	REFER TO ORDER		Devon-BRA8													
DRAWING LEGEND	N.W	12.5kg	Product Size	500X370X150													
	G.W	15.5kg	Package size	550X430X230													
	LINEAR / ANGULAR TOLERANCES	DRAWN		DATE													
	<table border="1"> <tr> <td>No Decimal</td> <td>1 Decimal</td> <td>2 Decimals</td> <td>±3°</td> <td>CHK'D</td> <td>DATE</td> </tr> <tr> <td>±5</td> <td></td> <td></td> <td></td> <td></td> <td></td> </tr> </table>	No Decimal	1 Decimal	2 Decimals	±3°	CHK'D	DATE	±5						KASKADE	02/03/15		
No Decimal	1 Decimal	2 Decimals	±3°	CHK'D	DATE												
±5																	

NOTES
 1. ALL INTERNAL CORNERS TO BE R5 UNLESS OTHERWISE STATED.
 2. BASINS IN AUSTRALIA COME WITH GLOSS FINISH ONLY ON SPECIAL ORDER - 8 WEEKS DELAY (SURCHARGE APPLIES).
 ALL BASINS DO NOT COME WITH A WASTE FITTING.

REV	DESCRIPTION	DWG	DATE	CHK'D	DATE
1	RELEASE DATE.	KASKADE	02/03/15		

