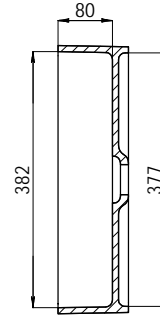
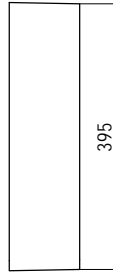
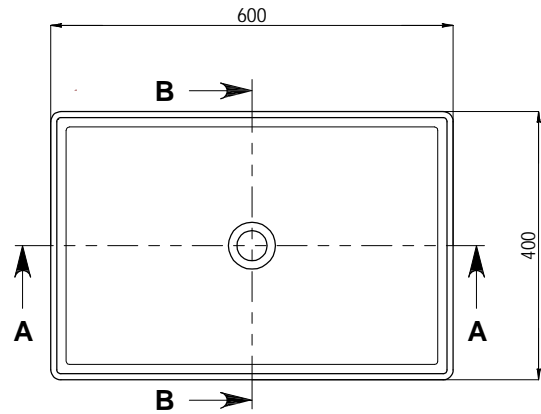
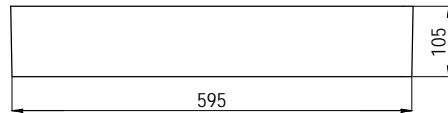
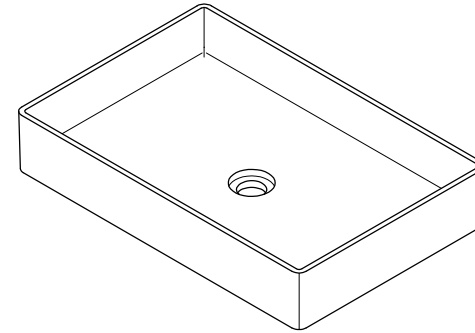


DRAFT COPY

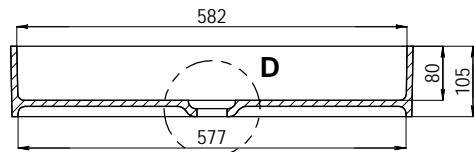
DO NOT SCALE. IF IN DOUBT ASK!



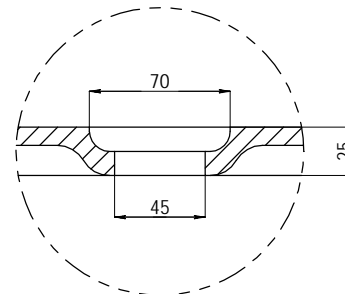
SECTION B-B



The thickness of the rim is 12mm



SECTION A-A



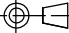

DETAIL D
SCALE 1:3

COLOUR
QTY
APPROVED BY:
NAME & SIGNATURE
DATE APPROVED:

NOTES

- ALL INTERNAL CORNERS TO BE R5 UNLESS OTHERWISE STATED.
- BASINS IN AUSTRALIA COME WITH GLOSS FINISH ONLY ON SPECIAL ORDER - 8 WEEKS DELAY (SURCHARGE APPLIES). ALL BASINS DO NOT COME WITH A WASTE FITTING.

COPYRIGHT © APPLIES DUPLICATION OF THIS DRAWING OR ANY SPECIFIC DESIGN FEATURES IS NOT PERMITTED WITHOUT WRITTEN AUTHORITY. "COMMERCIAL CONFIDENTIALITY" IS ASSUMED AND REQUIRED.

UNLESS OTHERWISE STATED ALL DIMENSIONS IN MILLIMETERS	MATERIAL:	KASKADE STONE		DRAWING NUMBER	
	FINISH:	REFER TO ORDER		Devon-BRA8-600	
DRAWING LEGEND	N.W	12.5kg	Product Size	600X400X105	
	G.W	16kg	Package size	650X450X155	
	LINEAR / ANGULAR TOLERANCES		DRAWN	DATE	
	No Decimal	1 Decimal	2 Decimal	KASKADE	02/03/15
	±5		±3°	CHK'D	DATE
				 www.kaskadebaths.de	

REV	DESCRIPTION	DWG	DATE	CHK'D	DATE
1	RELEASE DATE.	KASKADE	02/03/15		