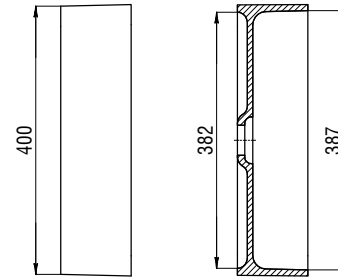
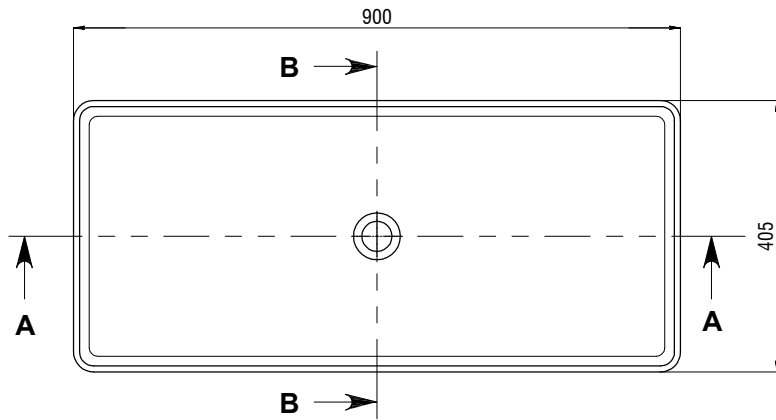
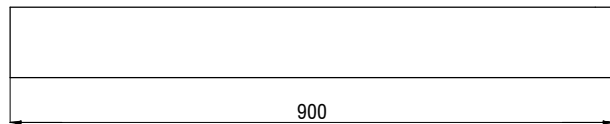
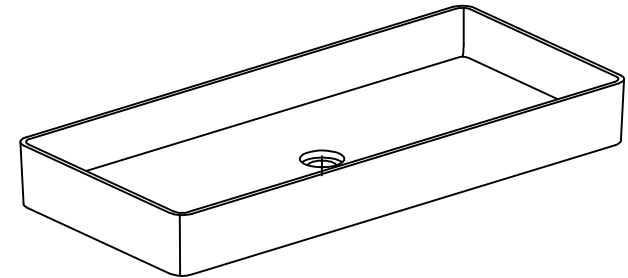


DRAFT COPY

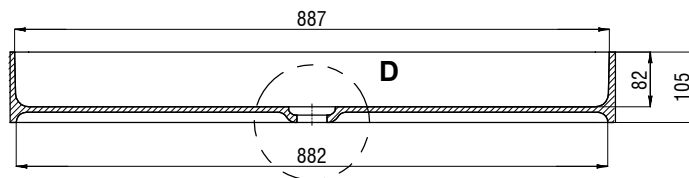
DO NOT SCALE. IF IN DOUBT ASK!



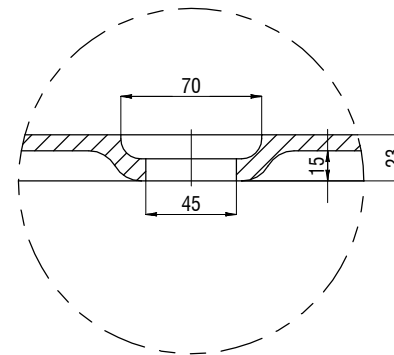
SECTION B-B



The thickness of the rim is 12mm



SECTION A-A



**DETAIL D
SCALE 1:3**

COLOUR
QTY
APPROVED BY:
NAME & SIGNATURE
DATE APPROVED:

- NOTES**
1. ALL INTERNAL CORNERS TO BE R5 UNLESS OTHERWISE STATED.
 2. BASINS IN AUSTRALIA COME WITH GLOSS FINISH ONLY ON SPECIAL ORDER - 8 WEEKS DELAY (SURCHARGE APPLIES). ALL BASINS DO NOT COME WITH A WASTE FITTING.

COPYRIGHT © APPLIES. DUPLICATION OF THIS DRAWING OR ANY SPECIFIC DESIGN FEATURES IS NOT PERMITTED WITHOUT WRITTEN AUTHORITY. "COMMERCIAL CONFIDENTIALITY" IS ASSUMED AND REQUIRED.

UNLESS OTHERWISE STATED ALL DIMENSIONS IN MILLIMETERS	MATERIAL:	KASKADE STONE		DRAWING NUMBER	
	FINISH:	REFER TO ORDER		Devon-BRA8-900	
DRAWING LEGEND	N.W	18.5kg	Product Size	900X405X105	SCALE 1:1
	G.W	21.5kg	Package size	950X455X155	A4
	LINEAR / ANGULAR TOLERANCES	DRAWN		KASKADE	DATE
	No Decimals	1 Decimal	2 Decimals	02/03/15	02/03/15
1	RELEASE DATE.	KASKADE	02/03/15	CHK'D	DATE
REV	DESCRIPTION	DWG	DATE	CHK'D	DATE

1	RELEASE DATE.	KASKADE	02/03/15		
REV	DESCRIPTION	DWG	DATE	CHK'D	DATE